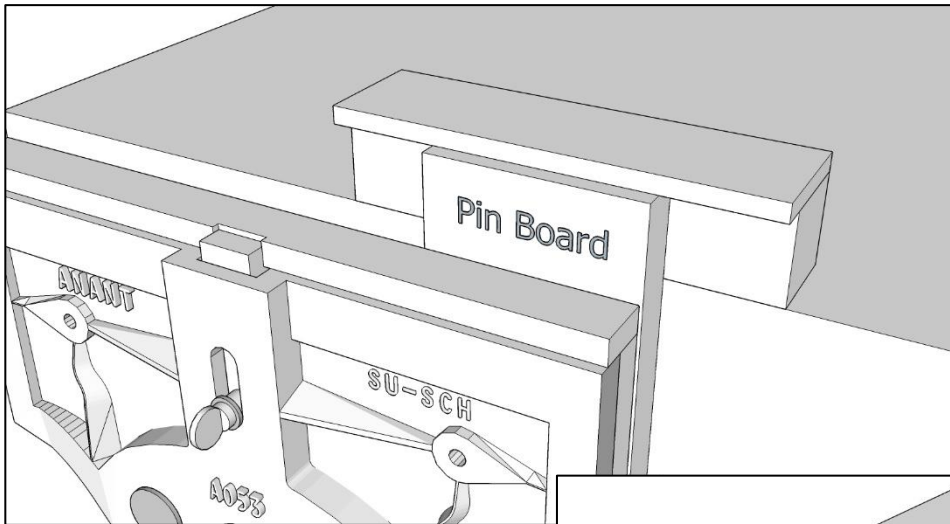
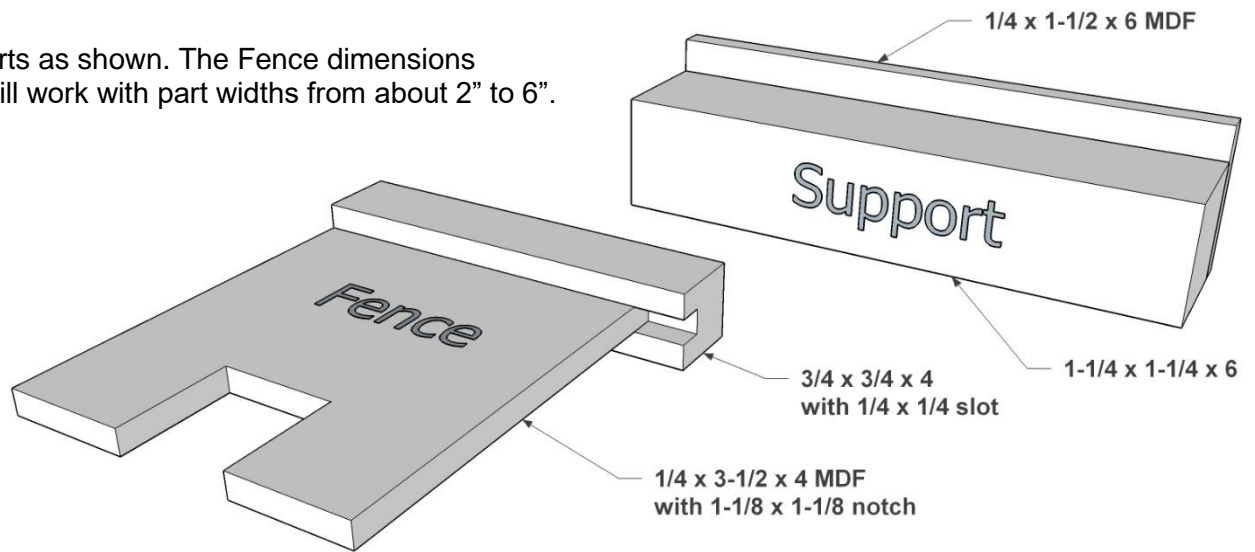


Tail Transfer Tool

Plans by Carl Stammerjohn - carlstammerjohn.com; jig design by Mike Pekovich

Make parts as shown. The Fence dimensions shown will work with part widths from about 2" to 6".



Use Support as shown to set height of pin board in vise (1-1/4" above bench top).

Clamp Fence to tail board with spring clamp as shown, with edge of MDF aligned with tail baseline. Then align tail board on end of pin board. Hold in place by hand and mark pins.

